

MEMBRANES

ALDERPRUFE GAS BARRIERS



Features

Allows for total flexibility in construction design. No matter how complex the foundation design, a total sealed system is available to cope with the most rigorous demands of today's construction methods.

Membranes can be applied directly in front of laser screeding operations if required.

Gas barrier Systems for the protection of buildings on contaminated land.

Fully designed systems to protect against all land-borne gases. Methane, Carbon Dioxide and Radon.

All systems comply with current Building Regulations and Code of Practice CP102.

ALDERBURGH

Alderburgh Limited specialises in the manufacturing and marketing of high quality products for complete structural protection, encompassing membrane systems, liquid systems, expansion joint

fillers, ventilation products and drainage systems. We have available a wide range of expertise and are constantly reviewing products to provide up to date solutions for today's construction problems.

Waterproofing Membranes

- Alderprufe Tuflex
- Alderprufe 1500
- Alderprufe 2000
- Alderprufe 3000
- Alderprufe 3000HD
- Alderprufe Delta System
- Alderprufe Nu-Life

Gas Barriers

- Alderprufe Tuflex
- Tuflex CO2
- Alderprufe MR
- Alderprufe MR50
- Alderprufe GRA
- Alderprufe GRM
- Preformed Details

Damp Proof course and Cavity Tray Systems

- Aldercourse Century 2000
- Aldercourse Excell Hy-Grip
- Aldercourse GRA
- Aldercourse Tuflex DPC
- Aldercourse Cavity Trays
- Aldercourse Thermal Block
- Aldercourse Thermal Stop
- Higrade DPC

Aldervent Ventilation Systems

- Aldervent Geo-Grid and Geo-Grid 25
- Aldervent Geo-Void 12/25/100
- Through Wall Ventilation Systems
- Aldervent Vent Bollard
- Gas Sump
- Ground Level Vent Units
- AVSS
- AVRT
- AVRTR
- AVOF

Expansion Joints and Protection Boards

- Foamflex 1, 2, 3
- Corkflex - B
- Fibreflex
- Backerboard 501 - A
- Angle Fillet
- Multistick

Waterstops and Drainage Systems

- Centrally Placed Water Stops
- Caviduct 20
- Externally Placed Water Stops
- Delta Geo Drain
- Nu-Life

Liquid Compounds

- LD10 Liquid Waterproofer
- Black Bitumen Paint - type II
- Weatherprufe Waterproofing Compounds
- Bitumen Mastic
- Alderprufe Tac Primer
- Solar Reflective Paint
- Felt Adhesive
- Alderseal 810
- Alderseal 850
- Gritting Solution
- Aluminium Flashing Tape

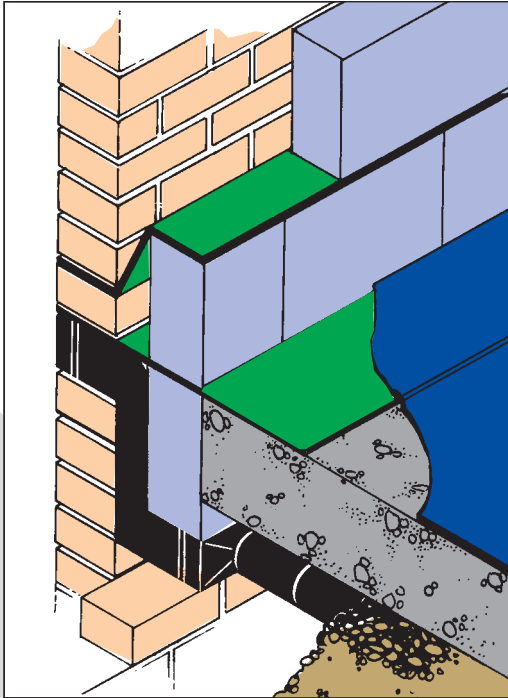
Water Management Systems

- Alderburgh Geo Void Cell 30/100
- Alderburgh Geo Void 80/100
- Alderburgh Geo Cell Tank
- Surface Water Re-cycling Systems
- Atlantis Stormwater Purification Unit

Geo-Textiles

- Stabilisation & Filter
- Alderway
- Geotex
- Protection & Filter

Gas Barrier Systems



Gas Barrier Systems

The potential development and construction on or close to known landfill sites and areas subject to Radon emission is now recognised as a potentially hazardous undertaking. The danger of landfill gas production, particularly methane which is highly flammable and carbon dioxide which is potentially poisonous in volume is well documented.

Careful consideration must be given to any construction project and steps taken to minimise and or eliminate that risk.

Landfill gas production can continue for decades with the continuing decomposition of landfill waste. Once produced the gas migrates as a result of diffusion, flows due to air pressure differences, and movement in water levels below ground, dependant on climatic conditions. Gas will follow the path of least resistance, methane being lighter than air. It will naturally migrate through cracks, fissures, service entry voids etc, in buildings.

When it is considered, methane is a potentially explosive hazard, if ignited in confined spaces when the methane volume to air is 5% or more and carbon dioxide can be toxic at a long term exposure level of 0.5% by volume. Radon at

high levels above 200 Bq/m³ can contribute towards cancer health risk. The design and correct installation of Gas Barriers and the correct sealing of these barriers to prevent the risk of gas entering buildings is essential. This is the first and Primary Protection. The design and correct installation of ventilation systems to prevent the build-up of gas concentration below ground known as Secondary Protection is also essential. Both primary and secondary protection systems can be designed and incorporated into the structure. We also have access to consultant specialists in the field of determining the potential risks of a site and provide ongoing monitoring systems and advice for the long term control and monitoring of any potential gas hazard.

Primary Protection

A range of products including self-adhesive and loose-laid gas-impermeable membrane barriers, cavity closure membrane systems and sealing tapes, and prepared factory controlled units for sealing around service entries penetrating the membranes. The whole system is fully compatible and designed to seal the whole structure from gas migration including the floor, walls and cavities.

It is essential that proper consideration and application is undertaken to ensure proper sealing at all joints, laps and service entries.

These systems also conform with current Building Regulation requirements to protect buildings from water penetration from the ground.

Full guidance on the recommendation, selection and installation of the most appropriate membrane system for the construction can be found in section 12 (pages 57/58) of the DETR Partners in Technology report Sept 97. Particular consideration should be given to perimeter detailing particularly across cavity walls to prevent the creation of slip planes and the use of 'Factory Formed' sections to seal all penetrations.

Gas Barriers

Product Guide



Product Guide Check List	Alderprufe GRA	Alderprufe GTI	Tuflex	Tuflex CO2	Alderprufe GRM	Alderprufe MR50	Aldercourse GRA	Tuflex DPC
Methane Resistant	✓ 0.001 L/M ² /D	✓ 0.001 L/M ² /D	✓ 0.003 L/M ² /D	✓		✓ 0.001 L/M ² /D	✓ 0.001 L/M ² /D	✓
Carbon Dioxide Resistant	✓ 0.001 L/M ² /D	✓ 0.001 L/M ² /D	✓	✓ 0.001 L/M ² /D	✓ 0.06 L/M ² /D	✓ 0.001 L/M ² /D	✓ 0.001 L/M ² /D	✓
Radon Resistant	✓ 2.3x10 ⁻¹² M ² /S	✓	✓	✓	✓ 10.6x10 ⁻¹² M ² /S	✓	✓	✓
Weldable			✓	✓		✓	✓	✓
Compound Jointed	✓	✓			✓		✓	
Ground Membrane HORIZONTAL	✓	✓	✓	✓	✓	✓	✓	✓
Ground Membrane VERTICAL						✓	✓	
Cavity Closure + DPC Through Load Bearing							✓	✓
Thickness	0.4mm	0.4mm	1.0mm	0.75mm	0.38mm	2mm	3.5mm	1.0mm
Puncture Res			150N FTMS 101C	120N FTMS 101C				
Size of Roll	2m x 50mt	3.2m x 50mt	5.7 x 100mt	1.2m x 50mt	2.3m x 50mt 3.2m x 50mt	1m x 15mt	100mm - 1000mm x 8mts	100mm - 1200mm x 20mts
Colour	Blue/Silver	Blue/Silver	Black	Grey	Blue	Black	Sand Coloured	Buff

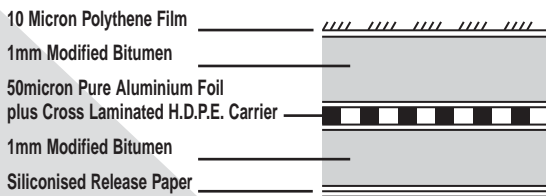
Alderprufe MR50

Introduction

Alderprufe MR50 self adhesive waterproofing membrane is intended for use in concrete, brickwork and blockwork construction, both internally and externally, to protect buildings against water and the ingress of methane, carbon dioxide and radon gases from the ground.

Description

ALDERPRUFE MR50 Membrane Structure



Alderprufe MR50 high performance gas resistant membrane is derived from the well established Alderprufe 2000sa structural waterproofing membrane. Resistance to gas permeation is achieved by incorporating a 50micron thick pure aluminium foil between two 1 mm layers of modified bitumen. The upper surface is protected by a thin polythene film and the lower surface by a siliconised release paper.

Benefits

Alderprufe MR50 offers the ease of application of a self adhesive membrane with total gas resistance by the aluminium foil. It provides economic protection in a single application without the need for taping strips at overlaps. The modified bitumen layers provide the aluminium core with complete protection from alkali attack from the over site concrete or screed. In addition the option of heat sealed laps gives even greater security.

Installation

Alderprufe MR50 should generally be installed in accordance with the recommendations of CP102: 1973, Code of Practice for the Protection of Buildings against water from the ground. However the membrane should be used on a construction providing ventilation under the supporting structure.

All surfaces should be smooth, clean and dry. Loosely adhering material or sharp protrusions should be removed by mechanical means. Brickwork must be skimmed with sand /cement



to provide an even surface. Concrete and render should be completely cured, dry and dust free. All areas must be primed with Alderprufe SA Primer at a rate of approximately 4-6m² per litre prior to the application of Alderprufe MR50 and allowed to dry. Only prime sufficient

to be covered with membrane in the same working day. Cut the membrane to the appropriate length, remove about 200mm of release sheet and bond the membrane firmly to the substrate. Remove the release sheet progressively pressing the membrane onto the primed surface. To prevent air being trapped, pressure must be applied from the centre. All side and end laps to be 100mm and rolled to ensure a complete seal. For total security, laps may be heat sealed by lightly heating the upper surface of the laid sheet at overlaps to a width of 100mm to expose the bitumen before applying the next sheet. This provides for a complete homogenous welded joint. Angles and corners should be provided with a suitable fillet and reinforced with a 300mm wide strip of Alderprufe MR50 equidistant across the directional change.

Limitations

Alderprufe MR50 must not be applied when the surface temperatures fall below 5°C. Only sufficient membrane should be laid as can be adequately protected as work proceeds.

Storage

Alderprufe MR50 must be stored in dry conditions under cover at a minimum temperature of 5°C and a maximum of 30°C. Rolls must be stored on their sides, stacked no more than 5 high. When stored as described above the shelf life of the membrane is 12 months.

Health & Safety

Alderprufe MR50 poses no hazard under normal working conditions. No specific handling precautions are required. Remove bitumen adhering to the skin, from contact with the self adhesive coating, with a propriety skin cleanser and warm water. The membrane is combustible at high temperatures. When burning it releases black smoke.

Alderprufe GRA

A loose laid 20 micron pure aluminium foil substrate with a multi-filament polyester 20mm scrim grid, sandwiched between two layers of polyethylene. For use in solid concrete ground floors that are not subject to hydrostatic pressure, to protect buildings against gas penetration from the ground.

General Description

Alderprufe GRA is available for use, in accordance with the relevant clauses of CP102: 1973 Code of Practice for protection of buildings against water from the ground (as amended), in concrete floors not subject to a hydrostatic pressure.

It can be installed as an oversite membrane, situated between a blinded hardcore bed and the base concrete, or as a sandwich membrane in base concrete or between the base concrete and the screed and suspended floor construction including block and beam.

The methods of jointing provide an effective barrier to the passage of gases, liquid water and water vapour from the ground.

Alderprufe GRA will meet Requirement C4 of the Building Regulations 1985 (England and Wales), in that sheet thickness is at least 1000 gauge.

Alderprufe GRA has a high resistance to puncture. On smooth or blinded surfaces it will not be damaged by normal foot or site traffic (eg wheelbarrows) but care should be taken to avoid damage during installation, particularly when handling building materials and equipment over the surface and when placing concrete or screed since it can be punctured by sharp objects.

Alderprufe GRA may be installed under all conditions normal to the construction of ground floor slabs. However, it should be noted that in accordance with CP102: 1973 (as amended) subsoil drainage should be provided wherever there is a risk of ground becoming waterlogged.

The membranes remain flexible and do not soften

practice. When used in accordance with the manufacturer's instructions there will be no adverse effect on the membranes from underfloor heating under normal conditions of use, Alderprufe GRA will provide an effective barrier to the transmission of gases, liquid water and water vapour for the life of the concrete slab in which it is installed.

Technical Data

Thickness (mm)	0.4mm
Minimum thickness (mm)	0.375 mm
Roll length (M)	50 mts
Roll width (M)	2.0 mts
Roll weight (kg)	38 kgs
Tensile strength	15 KN/M
Vapour transmission	0.01 g/m ² day
Methane Gas Permeability	0.001 L/m ² /day

Application

Unless the base is smooth, a surface blinding of soft sand (Alderway or Geotex Mat) should be used to avoid puncture of the membrane during installation or when the concrete or screed is being placed.

Jointing: Before joining, sheets must be clean and free from dirt and grease. Adjacent sheets should be overlapped by at least 100mm wide and bonded with 100mm wide Alderseal double sided gas-tite compound.

Perforation: Perforation or puncture of the sheets should be patched with sheets of identical thickness lapped at least 150mm beyond the limit of the puncture and sealed with 100mm wide Alderseal gas-tite compound.

Continuity with DPC: Alderprufe GRA membrane must be continuous with damp-proof course in the surrounding walls. Where necessary Alderprufe MR50 should be used as a vertical course to link the two. Lapped and bonded to Aldercourse GRA for continuation through load bearing structural walls (See details drawings and separate data sheets.)

Placing Concrete Or Screed: Alderprufe GRA must be covered by a screed or other protective layer as soon as possible after installation. Care should be taken to ensure that the membrane is not stretched or displaced when placing the concrete or screed. Consideration should be given to use of ventilation systems and pre-formed details where appropriate see separate Data sheet. For all service entries the use of a 'Tophat' factory formed units made from the same material should be considered.



Gas resistant Cavity Closure Damp-proof Course Aldercourse GRA

Introduction

When used contiguously Alderprufe MR50 or GRA and Aldercourse GRA form a gas-retardant membrane and damp-proof course system for use on landfill sites and in other areas where protection from gases, particularly methane, CO₂ and radon is required.

Description

Aldercourse GRA is an aluminium cored damp-proof course, developed in combination with Alderprufe MR50 or GRA to provide a continuous "through the wall to floor" junction. Both products have a low permeance of methane and other gases including radon.

Composition and manufacture

Aldercourse GRA is a laminate of aluminium, high quality oxidised bitumen and hessian. It is surfaced with a light sand finish.

Uses

Aldercourse GRA is suitable for use as the associated damp-proof course particularly where resistance is required to the ingress of methane. It may be used in conjunction with Alderprufe MR50 or GRA and similar methane retardant membranes. If resistance to methane is a factor, great care must be taken with detailing on all parts of the structure.

Priming

All surfaces to which Aldercourse GRA is to be heat bonded, must be primed with one coat of Alderprufe Self Adhesive Primer at a rate of 0.1 to 0.3 litres per m² dependent on the porosity of the surface. The primer must be allowed to dry thoroughly before the application of membrane or DPC.

Application

Aldercourse GRA Damp-proof course should be laid on a wet mortar bed in accordance with British Standards Codes of Practice. All laps of Aldercourse to Aldercourse must be secured by heat bonding, and should be a minimum of 150mm. Laps between Alderprufe MR50 or GRA and Aldercourse GRA should be secured as follows:— The Aldercourse GRA dpc should extend onto the slab by a minimum of 150mm. The top surface of the Aldercourse GRA should be softened by use of a gas torch to allow the bitumen to become viscous. Alderseal Gastite Compound should be applied to the exposed surface. The Alderprufe GRA should then be applied to the top of the dpc and bedded into the Gastite compound.



Gas Barriers

Alderprufe MR

Description

Alderprufe MR self adhesive waterproofing membrane is intended for use in concrete, brickwork and 'block work construction, both internally and externally, to protect buildings against water and the ingress of methane and radon gases from the ground.

Uses

An oriented, cross laminated, high density polyethylene sheeting laminated to aluminium foil and coated with a bitumen/polymer adhesive compound for use in internal and external tanking to prevent the ingress of water and water borne aggressive salts, such as chlorides and sulphates, into concrete

structures.

Designed to reduce the passage of methane gas on sites such as reclaimed landfill and town gas sites. The membrane has a very low permeance of methane and other gases.

Benefits

Alderprufe MR offers the ease of application of a self adhesive membrane with total gas resistance by the aluminium foil. It provides economic protection in a single application without the need for taping strips at overlaps.

Alderprufe Tuflex CO2

General Description

Alderprufe Tuflex CO2 - grey in colour, 0.75mm thickness, is a single layer cold applied geomembrane suitable for environmental protection to structures, containments and cut-off trenches.

Alderprufe Tuflex combines excellent chemical resistance with low flexural modulus to provide a malleable, flexible membrane suitable for non-smooth surfaces and factory prefabrication to optimise on-site installation.

Building Protection Membrane

Applied as a Gas Barrier Membrane to protect the building against the ingress of all land borne gases - Methane, Carbon Dioxide and Radon. Tuflex is laid in a single layer over a prepared site. Due to its inherent weldability and on site quality assurance monitoring, the membrane is recommended to be laid by trained operatives certified for the purpose. On smaller sites factory fabricated panels can be supplied for application by others. Applied to cover the whole of the slab area above Aldervert gas ventilation system if required.

All membrane penetrations (i.e. steel stanchions and service entry points) to be sealed with factory formed units welded to the membrane on site.

At all points where the membrane passes through load bearing walls, Alderprufe Tuflex DPC or GRA DPC is installed and welded to the overlying Tuflex membrane.



Protect finished membrane with Geotex or Alderway protection mats if following trades are erecting steel fabrication for slab reinforcement.

All punctures to be repaired by a minimum overlap of 150mm.

Cut-off Trench Containment

Alderprufe Tuflex has been successfully installed up to 8 metres deep as a vertical barrier to contain contaminants and gases on brown fields sites and around landfill.

Installed by accredited contractors.

Bespoke systems have been designed to suit site specific parameters.

Trilaminar membranes with exceptionally high puncture resistance are available.

Cut-off trenches for contaminant control, with large volume gas and liquid dispersal properties, are possible, utilising Aldervert Geogrid, Geovoid, or Geocell systems. (see separate data sheets.)

In-service performance

The demands made on Alderprufe Tuflex in landfill, water containment or pollution control are considerable. The flexibility of Alderprufe Tuflex is due to the polymeric structure of the resin. There are no plasticisers in the Alderprufe Tuflex formulation that can be leached out by exposure to chemicals or sunlight causing the membrane to become brittle.

Design and Specification

All Alderprufe Tuflex systems carry Product Guarantee Insurance including efficacy cover. Bespoke system designs with third party accreditation including P.I. cover are available to the developer to offer full security and warranties.

Tuflex DPC

General Description

Tuflex/PCPT Highgrade polymeric Damp-proof/Gas-proof course is a flexible sheet material which is a composition of propylene copolymers.

Manufacture

The raw materials are balanced, milled and calendered to a standard strictly controlled, which includes checks on dimensions, strength, low temperature, flexibility and homogeneity.

Installation

Installation must be in accordance with the relevant

section of CP102: 1973 protection of buildings against water from the ground, and must follow normal good practice for the detailing of damp-proof courses, as set out in BS 5628: Part 3: 1985. and be in accordance with the manufacturers instructions.

Work can be carried out in all weather conditions normal to the construction of walls.

The dpc must extend through the full thickness of the wall or wall leaf: including pointing, applied rendering or other facing. The dpc must be laid on an even bed of mortar. Any perforations in adjacent courses of brickwork must be completely filled with mortar. All lap joints must have an overlap of 100mm and be completely sealed using double sided jointing compound or welded. When using this product with boot lintels or similar construction, it is recommended that the material is installed to follow the lintel profile.

Alderprufe GRM

A loose laid membrane comprising a reinforcing grid extruded between two layers of polyethylene, with high resistance to ground contaminants. For use in all types of floor construction design solid concrete ground floors that are not subject to hydrostatic pressure, to protect buildings against gas penetration from the ground. Specifically CO₂ and Radon.

General Description

Alderprufe GRM is available for use, in accordance with the relevant clauses of CP102: 1973 Code of Practice for protection of buildings against water from the ground (as amended), in concrete floors not subject to a hydrostatic pressure.

It can be installed as an oversite membrane, situated between a blinded hardcore bed and the base concrete, or as a sandwich membrane in base concrete and the screed and suspended floor construction including block and beam.

The methods of jointing provide an effective barrier to the passage of gases, liquid water and water vapour from the ground.

Alderprufe GRM will meet Requirement C4 of the Building Regulations 1985 (England and Wales), in that sheet thickness is at least 1000 gauge.

Alderprufe GRM has a high resistance to puncture. On smooth or blinded surfaces it will not be damaged by normal foot or site traffic (eg wheelbarrows) but care should be taken to avoid damage during installation, particularly when handling building materials and equipment over the surface and when placing concrete or screed since it can be punctured by sharp objects.

Alderprufe GRM may be installed under all conditions normal to the construction of ground floor slabs. However, it should be noted that in accordance with CP102: 1973 (as amended) subsoil drainage should be provided wherever there is a risk of ground becoming waterlogged

The membrane remains flexible and does not soften at the extreme temperatures likely to occur in practice. When used in accordance with the manufacturer's instructions there will be no adverse effect on the membranes from underfloor heating under normal conditions of use. Alderprufe GRM will provide an effective barrier to the transmission of gases, liquid water and water vapour for the life of the concrete slab in which it is installed.

Minimum thickness (mm)	0.375mm
Roll length (M)	50 mts
Roll width (M)	2.6 mts
Roll weight (kg)	45.5 kgs
Tensile strength	15 KN/M
Methane Gas Permeability	40 cm ³ m ² /h
Carbon Dioxide Permeability	0.06g/m ² /day
Radon Permeability	10.6x10 ⁻¹² m ² /day

Application

Unless the base is smooth, a surface blinding of soft sand or Geotex Blanket should be used to avoid puncture of the membrane during installation or when the concrete or screed is being placed.

Jointing: Before jointing, sheets must be clean and free from dust and grease. Adjacent sheets should be overlapped by at least 100mm wide and bonded with 100mm wide Alderseal Gastite Compound.

Perforation: Perforation or puncture of the sheets should be patched with sheets of identical thickness lapped at least 150mm beyond the limit of the puncture and sealed with 100mm wide Alderseal Gastite Compound.

Continuity with DPC: Alderprufe GRM membrane must be continuous with damp-proof course in the surrounding walls. Where necessary Alderprufe MR50 should be used as a vertical course to link the two. Lapped and bonded to Aldercourse GRA for continuation through load bearing structural walls (See details drawings and separate data sheets).

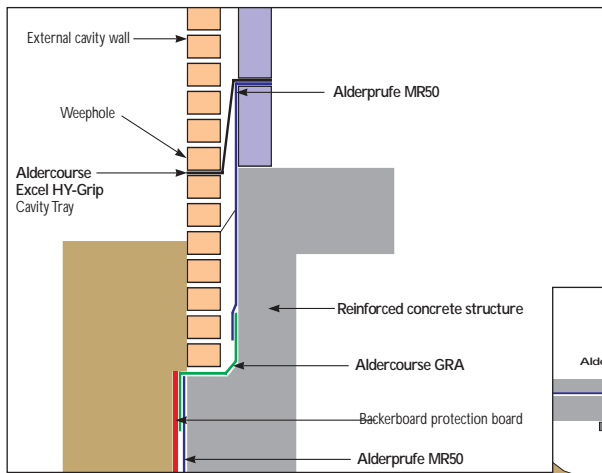
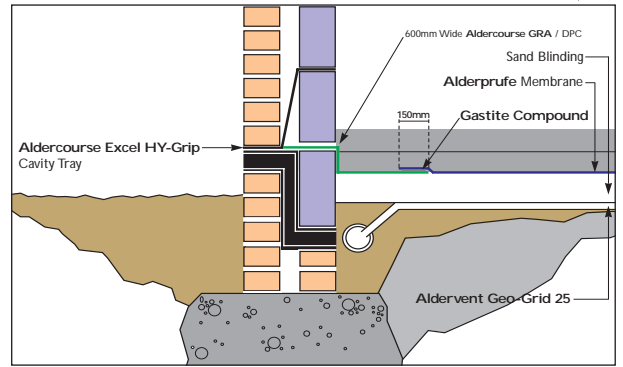
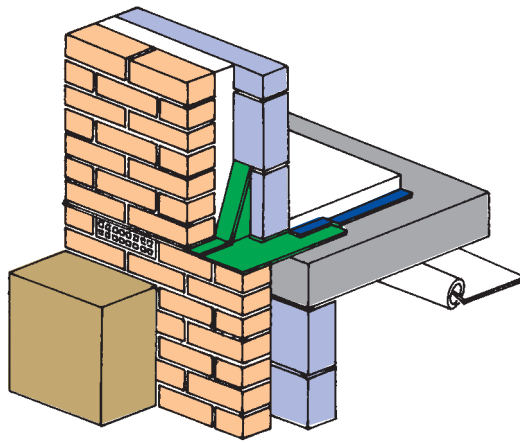
Placing Concrete or Screed: Alderprufe GRM must be covered by a screed or Geotex protective layer as soon as possible after installation. Care should be taken to ensure that the membrane is not stretched or displaced when placing the concrete or screed.

Consideration should be given to use of ventilation systems and pre-formed details where appropriate, see separate data sheet. For all service entries the use of Tophat' factory formed units made from the same material should be considered.

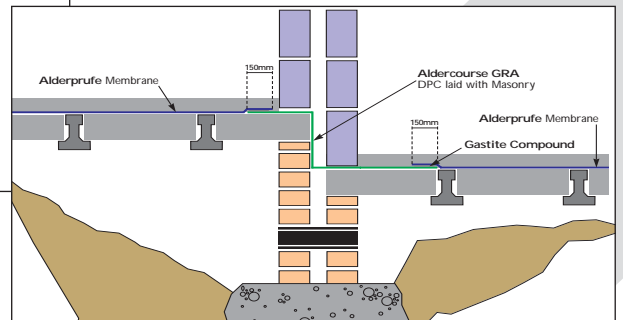
All products in the Alderprufe Gas Barrier systems are fully compatible and offer versatility both in designs consideration and contractor application.



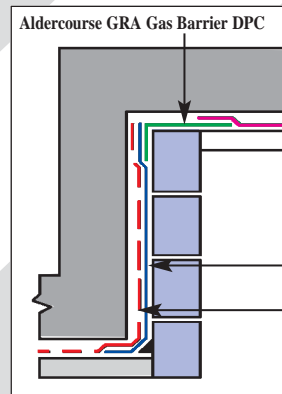
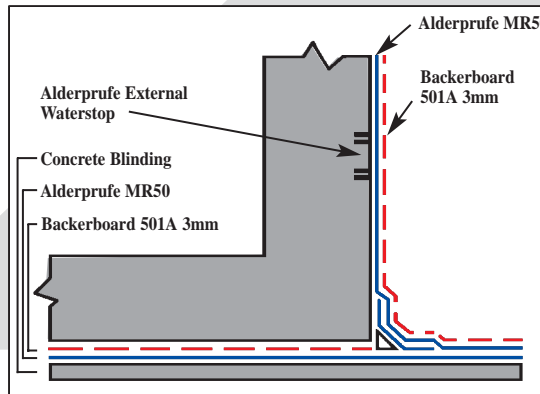
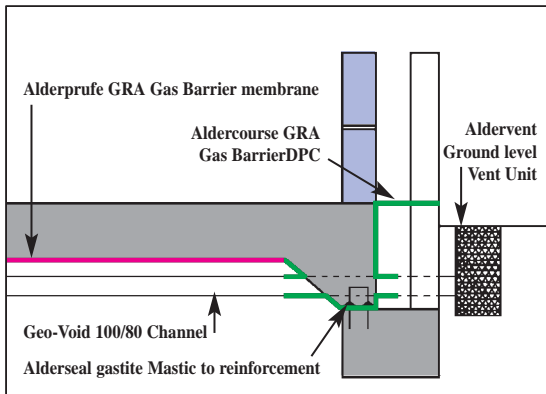
Fully Supported Ground Slab Edge Detail



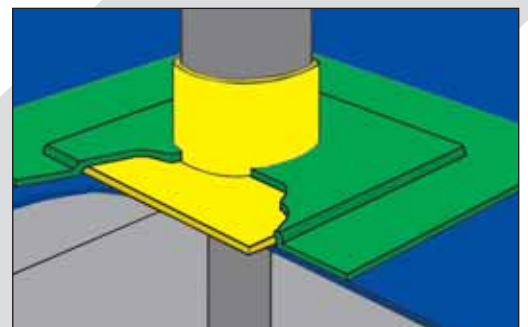
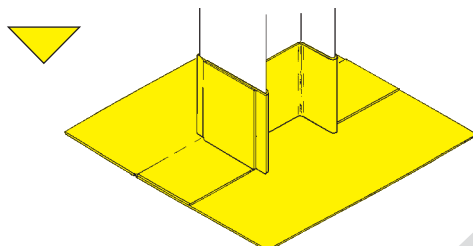
Internal Wall Detail

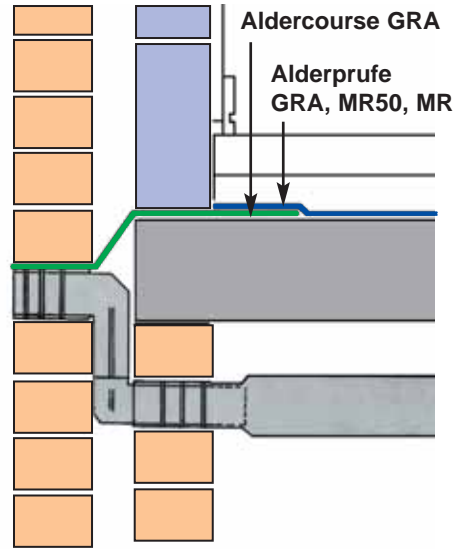
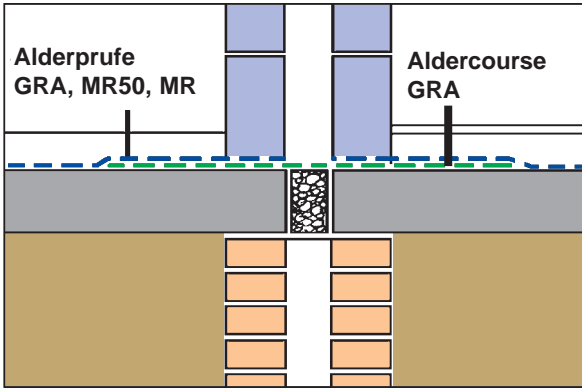


Tanking Detail Edge Detail

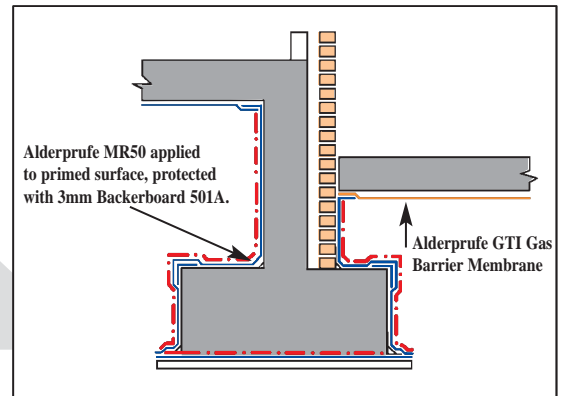
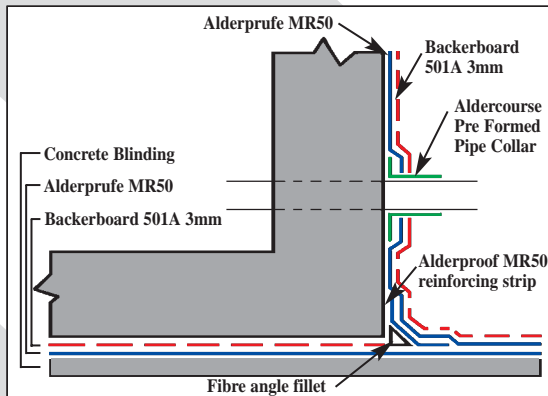
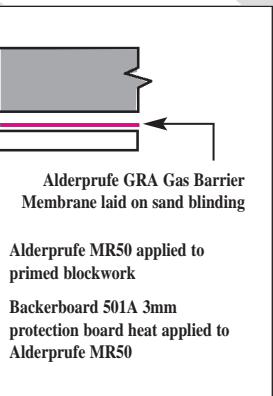
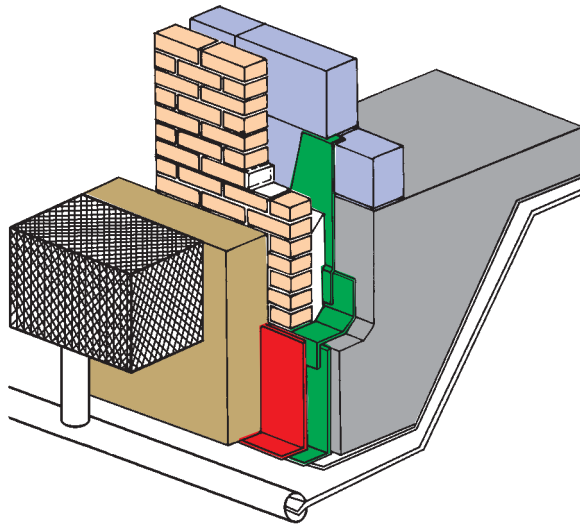
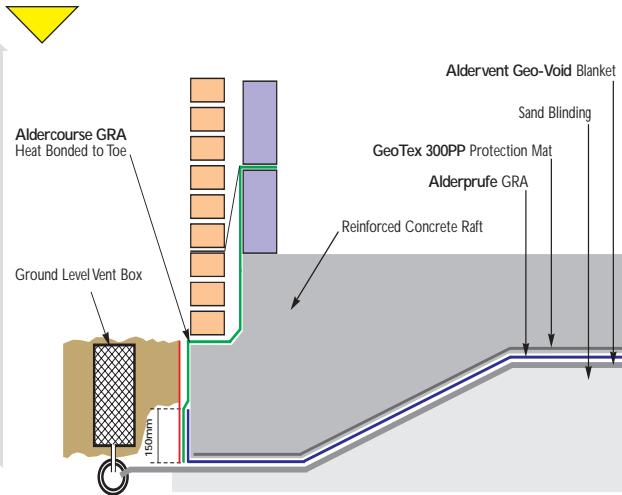


Cloak Detail Steel Column Base

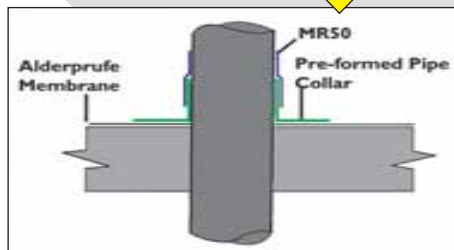




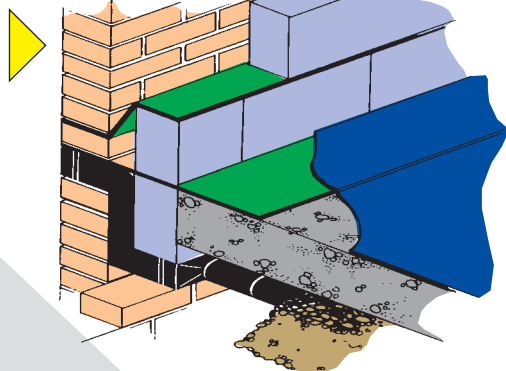
Raft Detail



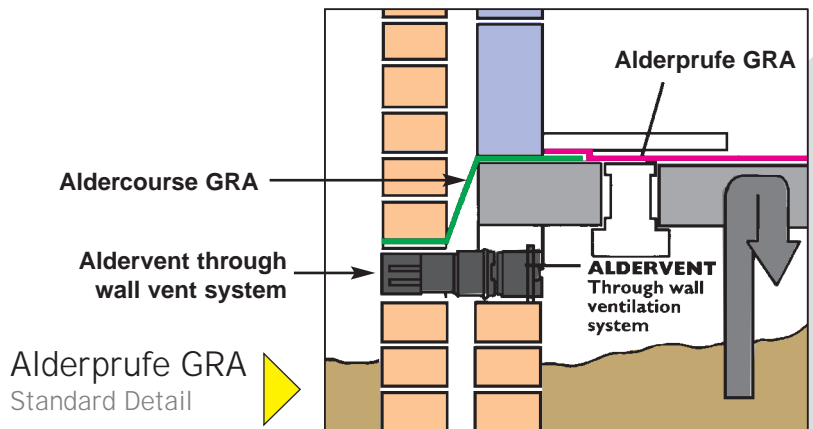
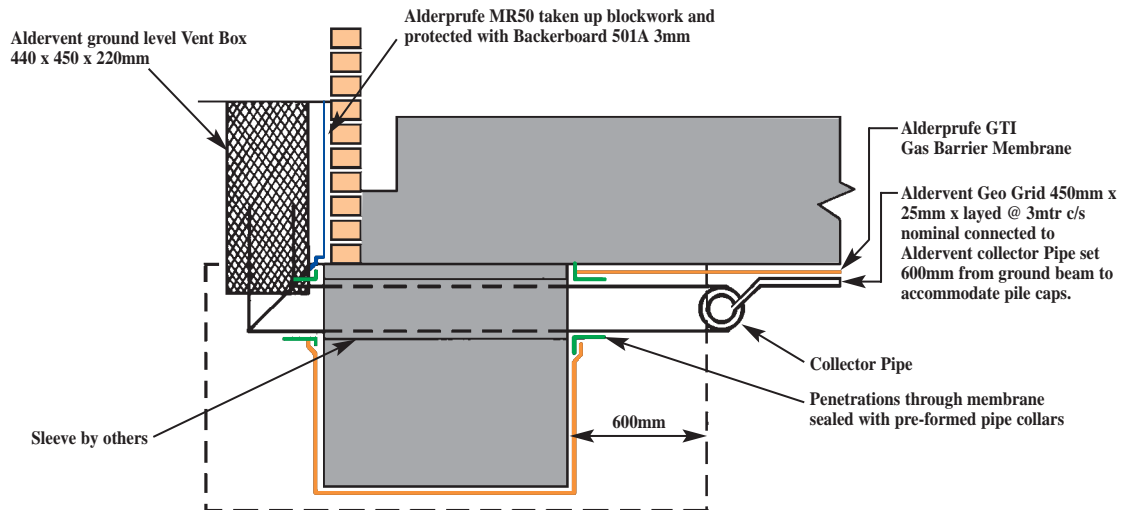
Pre-formed Pipe Collar Standard Detail



Alderprufe MR50 Standard Detail



Gas Barrier Edge Detail



Alderprufe Holdfast

Description:

A tying system for fixing the membrane to the underside of concrete slabs when future subsidence of the prepared ground is anticipated.

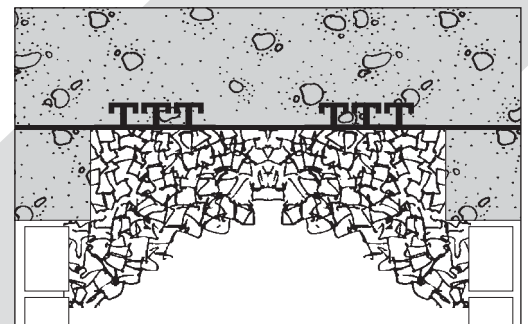
Holdfast are rectangular pads with 'T' bars fixed to the membrane at pre-determined centres. Usually applied when piled foundation's are required. Fixed between piles either by fully welding to the membrane or by application of Gastite Compound.

The concrete slab is cast over the laid membrane and Holdfast system. The concrete displacing itself around the 'T' bar sections.

In the event of ground subsidence, the 'T' sections are fixed in the underside of the slab to ensure the membrane remains fixed with no possibility of failure due to rupture.

Dimensions:

175mm x 100mm x 20mm



Ancillaries

Gastite Mastic / Factory Formed Details

ALDERSEAL GASTITE MASTIC

Alderseal Gastite Mastic is a self supporting non setting mastic. Developed for sealing around cable ducts, conduits, service pipe entries and reinforcing bars against gas and water ingress. Particularly at the critical point of entry when small diameter penetrations pass through the Membrane system.

It is possible for gas and water to track up and along cable, duct and steel bar penetrations of the Membrane. It is difficult to guarantee a sealed collar system on small diameter penetration.

Alderseal Gastite Mastic has been specifically developed to solve this problem.

It has British Telecom type approval and meets the requirements of British Gas for sealing services.

Description:

Firm Fibrous Mastic based on Polybutene, mineral fillers, organic fibres and water displacing materials.

Application:

Alderseal Gastite Mastic is packed into the ends of the duct by hand and moulded firmly around cables and against the duct ensuring there are no gaps or fissures. The Mastic should be packed to a depth of least equal diameter of the duct.

When used for sealing around solid penetrations reinforcing bars, mains, water pipes, etc. It is moulded by hand using firm pressure pressed into the angle caused by penetration. The Mastic being moulded onto both sides of the angle by at least 40mm.

Alderseal Gastite Mastic can also be used to pack into the angle at penetrations before the application of Factory Formed Collars and Cloaks.

All surfaces should be free from loose rust, scale, dirt or previous sealant.

Properties:

Alderseal Gastite Mastic Adheres to common construction materials such as steel, glazed earthen ware, clay, lead, polythene, pvc. Unaffected by natural gas including Methane and Carbon Dioxide and water. Accommodates movement.

Alderseal Gastite Mastic also adheres to wet surfaces and withstands at least 20kpa (2 metre head) water pressure for a minimum of 30 minutes.

Colour:	Off White
Specific Gravity:	1.66
Specific Volume:	578cc/kg
Application Temperature Range:	0°- 35°C
Service Temperature Range:	-15°- 100°C
Extruded Strips Weight:	1 kg
Dimensions:	330mm x 40mm x 40mm
No per carton:	8

Application:

All penetration ducts passing through Gas Membrane to be sealed at point of penetration with Alderseal Gastite Mastic as supplied by Alderburgh Ltd, Sladen Mill, Halifax Road, Littleborough. OL15 0LB.

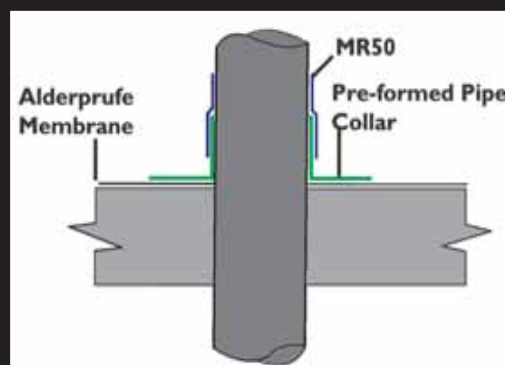
Health and Safety:

There are no known safety hazards in the normal use of this product. Full COSHH data available.

Factory Formed Details

PRE-FORMED PIPE COLLAR (TOP HAT)

The Pre-formed Pipe Collar is easily installed wherever penetration of the GAS barrier membrane is necessary for ducting or other services. Secure bonding of the pre formed pipe collar to the membrane is simply achieved by ensuring an overlap of 150mm and the application of ALDERSEAL GAS-TITE COMPOUND. Available in 110mm, 120mm, and 130mm' diameter. Special sizes can be made to order.

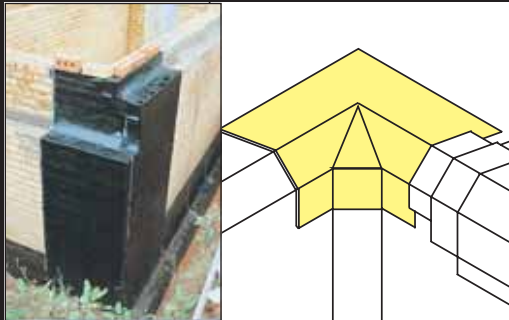


Ancillaries

Factory Formed Details / GasTite Compound

Description

Factory formed corners and detail profiles designed to eliminate all risk in applications of membranes at the weakest point. Eliminates any risk of error by applicator guaranteeing a complete waterproof and Gastite detail.



Material Specification

Manufactured from Aldercourse GRA or Tuflex DPC, the details are totally compatible with all membrane systems.

Size

All overlaps minimum 100mm onto membrane face.

PRE-FORMED COLUMN CLOAKS

Description

Manufactured in the factory with fully tested joints. The profiles are supplied to the exact size of the stanchions or the profile they are sealing. Heat bonded to the steel and either welded or adhered using Gastite Compound to the membrane. The profiles guarantee total security against ingress at the most difficult point to seal. Always installed as part of our guaranteed systems.



ALDERSEAL GAS TITE COMPOUND

Description

A modified polymer adhesive in sheet form, protected on both sides by siliconed release paper.

Uses

For sealing laps on Alderprufe GRA Gas Barrier and all Gas Barrier Systems, to themselves and each other, eg, Pre-Formed Corners and Profiles, Protection Boards, both vertical and horizontally, Fillet Sections.

Technical Data

Rolls Size: 15mts **Material Thickness:** 2mm
Elongation at break: 400%.

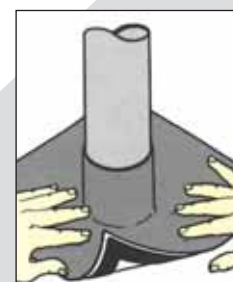
Application

Cut tape to desired profile shape and size. Remove release paper on one side and apply using firm pressure direct to profile or board. Prepare surface to be adhered to. Concrete and masonry must first be allowed to dry and for best results primed using Self Adhesive Membrane Primer.

When surface is prepared, remove second release paper on exposed side and fix in position. Firm pressure will ensure good adhesion. Warming tape by storing indoors before use will aid adhesion. Once in place the profile or product is firmly fixed and becomes an integral part of the gasproofing system.

Specification

All Laps on Alderprufe GRA Gas Barrier, all 'Profiles', protection boards 'Fillet Sections' of factory formed details are to be applied and fixed with Alderseal Gastite Double Sided Tape and in accordance with manufacturers instructions by Alderburgh Ltd.



Suggested NBS Specification

Gas Barrier & Ventilation System:—

Gas barrier & ventilation system to be Alderburgh Ltd, Sladen Mill, Lancashire, Tel: (0706) 374416.

Gas barrier & ventilation system to- be installed in strict accordance with the manufacturers data sheets and recommendations, provide to on completion manufacturers certificate/letter of approval to confirm installation and workmanship has been carried out to the acceptable standard.

1. Gas Barrier membrane- Alderprufe GRA laid on sand blinding over plan area of building, all laps to be a minimum of 100mm. and sealed with Alderseal Gastite Compound, overlaid with Geotex 300PP protection layer. (NB — Alderprufe GRA will also act as a DPM).
2. Aldercourse GRA Gas Barrier Dpc to be taken through cavity wall, completely closing the cavity and linking to the Alderprufe GRA Gas Barrier membrane. The same principle is adopted below any party walls.
3. Any penetrations through the Alderprufe GRA Gas Barrier membrane, i.o. Steel stanchions, service entry pipes, etc. should be cloaked using Aldercourse GRA preformed stanchion and service entry cloaks, all of which are manufactured to specific sizes.

GENERAL MANUFACTURERS SPECIFICATIONS

130 ALDERPRUFE GRA

Loose laid gas barrier membrane, by ALDERBURGH LIMITED, with 20 micron pure aluminium foil substrate, multi—filament polyester 20mm. scrim grid, between two layers of polyethylene. Tensile strength 15 kN/m methane gas permeability 0.001/m²/day.

Roll size:	2m x 50m
Layers:	One
Joints:	Minimum 100mm fully sealed with Alderseal Gastite Jointing Compound, or fusion welded.
Protection:	3mm or 6mm Backerboard, or Geotex 300PP where laid over slab.

330 ALDERCOURSE GRA

Gas resistant DPC/Cavity Closure by ALDERBURGH LTD, a laminate of 75 microns aluminium, oxidised bitumen and hessian, to maintain the integrity of the gas barrier system in load bearing walls and to close cavities against the ingress of gas. Laps: Minimum 150mm secured by heat bonding, either Aldercourse GRA to Aldercourse GRA. or to associated Alderprufe membranes. Roll Length: 8m. Weight: 3.8kg/m². Primer Alderseal TAC primer, on any surfaces where Aldercourse GRA will be heat bonded. Alderburgh Limited, Tel: 01706 374416, Fax: 01706 376785

325 ALDERPRUFE PREFORMED CLOAKS BY ALDERBURGH LIMITED

Types and locations preformed pipe collar to seal around service entry pipework. Penetrations; Preformed column cloak heat bonded to steel stanchions to maintain integrity of membrane system. Seal laps to surrounding membrane by torch bonding in accordance with manufacturer recommendations. Alderburgh Limited, Tel: 01706 374416, Fax: 01706 376785

310 WORKMANSHIP GENERALLY

Apply material carefully to provide a completely impervious, continuous membrane. Insure that surfaces to be covered are clean, dry, smooth and free from voids, sharp protrusions and frost. Protect finished sheeting with permanent overlaying construction as soon as possible, or take measures to protect from following on trades with suitable material as advised.

Alderburgh Limited, Tel: 01706 374416 Fax: 01706 376785

Immediately prior to covering check for damage and repair as necessary.

320 ANGLES IN FULLY BONDED SHEETING

Fit internal angles with ALDERPRUFE PREFORMED FILLET, not less than 50mm. by 50mm bedded in bitumen mastic. Reinforce all angles with a strip of specified Alderprufe membrane, not less than 300mm. wide, applied before the main sheeting. Continue main sheeting around angles, extending not less than 100mm. on to adjacent surfaces.

Alderburgh Limited, Tel: 01706 374416, Fax: 01706 376785



All Alderburgh products are manufactured to the highest quality, being subject to rigid quality control. However, the company cannot control conditions of application and use of its products, thus any warranty, written or implied, is given in good faith for materials only. Alderburgh Ltd will not accept any responsibility for damage or injury arising from storage handling, misapplication or misuse of its products. All transactions are subject to our standard condition of sale, copies of which are available on request.



Alderburgh Limited.

Sladen Mill, Halifax Road, Littleborough, OL15 0LB.
For Further Assistance Tel: 01706 374416, Fax: 01706 376785

E&OE. Without Guarantee.

email: sales@alderburgh.com